

Vandal-proof Network Dome Camera



Features

- 1/3" SONY Super HAD CCD
- H.264 dual-stream encoding
- 25/30fps@D1/HD1/CIF/QVGA resolution
- D&N, 2DNR, AWB, AGC, BLC,
- Multiple network monitoring: Web viewer, CMS(DSS/PSS) & DMSS
- Built-in 1/1 alarm in/out
- 6mm fixed lens (3.6mm,8mm,12mm optional)
- Mirco SD memory, IP65, IK10, PoE

When You Need Video Evidence Instantly

Technical Specifications

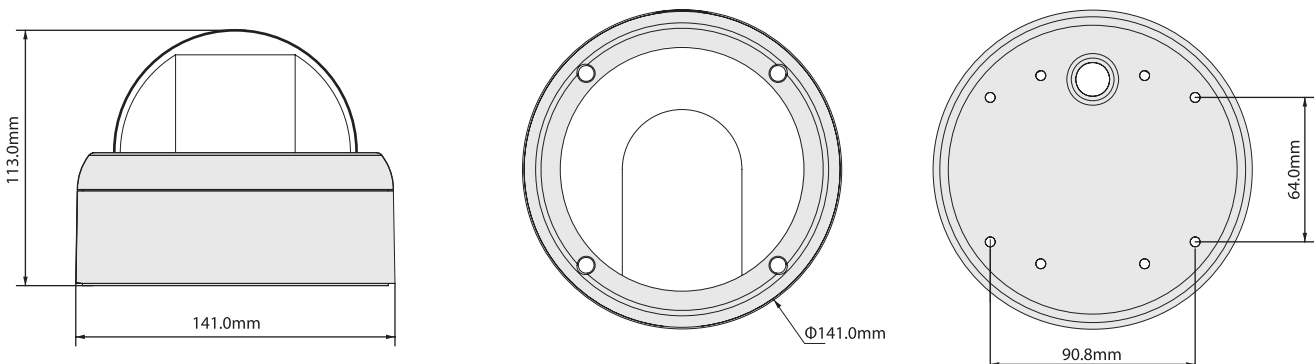
Model	P-.35FD
Camera	
Image Sensor	1/3" SONY Super HAD CCD
Effective Pixels	811(H)x508(V)
Scanning System	Interlacing
Electronic Shutter Speed	Auto/Manual 1/30~1/10000
Min. Illumination	0.1LUX/F1.2
S/N Ratio	>50dB
Video Output	1 channel BNC(1.0Vp-p, 75Ω)
Camera Features	
Day/Night	Auto(Electronic) / Color / B/W
Backlight Compensation	BLC
White Balance	Auto
Gain Control	Auto
Noise Reduction	2D
Privacy Masking	Up to 4 areas
Lens	
Focal Length	6mm (3.6mm,8mm,12mm optional)
Max Aperture	F1.8
Focus Control	Fixed lens
Angle of View	H: 42° (70°/46°/35°)
Lens Type	Fixed/ Fixed Iris
Mount Type	Board-in Type
Video	
Compression	H.264
Resolution	"D1(704×480) /HD1(704x288) CIF(352×240) / QVGA(320×240) /QCIF(176x120)/QQVGA(160x120)"
Frame Rate Main Stream	D1/HD1/CIF(1 ~ 25/30fps)
Sub Stream	D1/HD1/CIF/QVGA/QCIF/QQVGA(1 ~ 25/30fps)
Bit Rate	H.264: 32K ~ 4096Kbps
Audio	
Compression	G.711a/G.711u(64kbps)/PCM(128kbps)/AMR(64kbps)
Interface	1 /1 channel In/Out

continued next page

Technical Specifications

Model	P-.35FD
Network	
Ethernet	RJ-45 (10/100Base-T)
Protocol	IPv4, HTTP, SSL, TCP/IP, UDP, ICMP, IGMP, RTSP, RTP, SMTP, NTP, DHCP, NS, PPPOE, DDNS, FTP, IP Filter,
ONVIF	ONVIF Ver. 2.0
Max. User Access	10 users
Smart Phone	iPhone, iPad, Android, Windows Phone
Auxiliary Interface	
Memory Slot	Micro SD, Max 32GB
Alarm	2/1 channel in/out
General	
Power Supply	DC12V, PoE(802.3af)
Power Consumption	<5W
Working Environment	-10°C~+55°C, 10%~90%
Protection Level	IP65, IK10
Dimensions	φ141mm×120mm
Weight	350kg

Dimensions (mm)



PRD International, Inc.
 20 Industrial Drive, Middletown, NY 10941
 855-9CAMERA • (855-922-6372)

When You Need Video Evidence Instantly